

PRODUCT INFORMATION PACKET



Model No: B6520

Catalog No: B6520

Fan and Blower Motor, 1/4 1/5 1/6 HP, 1 Ph, 60 Hz, 230 V, 1075 RPM, 3 Speed, 42 Frame, OPEN



Regal and Century are trademarks of Regal Rexnord Corporation or one of its affiliated companies.
©2022 Regal Rexnord Corporation, All Rights Reserved. MC017097E





Nameplate Specifications

Output HP	1/4 1/5 1/6 Hp	Frequency	60 Hz
Voltage	230 V	Current	2.0 A
Speed	1075 rpm	Service Factor	1
Phase	1	Duty	Air Over
Insulation Class	B	Frame	42Y
Enclosure	Open Enclosed	Thermal Protection	Automatic
Ambient Temperature	40 °C	UL	Recognized
CSA	Y	CE	N
Number of Speeds	3		

Technical Specifications

Electrical Type	Permanent Split Capacitor	Starting Method	Across The Line
Poles	6	Rotation	Reversible
Mounting	Extended Studs	Motor Orientation	Horizontal
Drive End Bearing	Sleeve	Opp Drive End Bearing	Sleeve
Frame Material	N/A	Shaft Type	Flat
Overall Length	9.83 in	Shaft Diameter	0.500 in
Shaft Extension	4.7 in		
Connection Drawing	617836	Outline Drawing	B6520-s01

This is an uncontrolled document once printed or downloaded and is subject to change without notice. Date Created:11/28/2022

GENERAL INFORMATION:

SHAFT RUNOUT: .001 [.025] T.I.R. PER INCH LENGTH OF EXTENSION

END PLAY: .010[.254] TO .063[1.600]

BEARINGS: SLEEVE

MOUNTING: HORIZONTAL

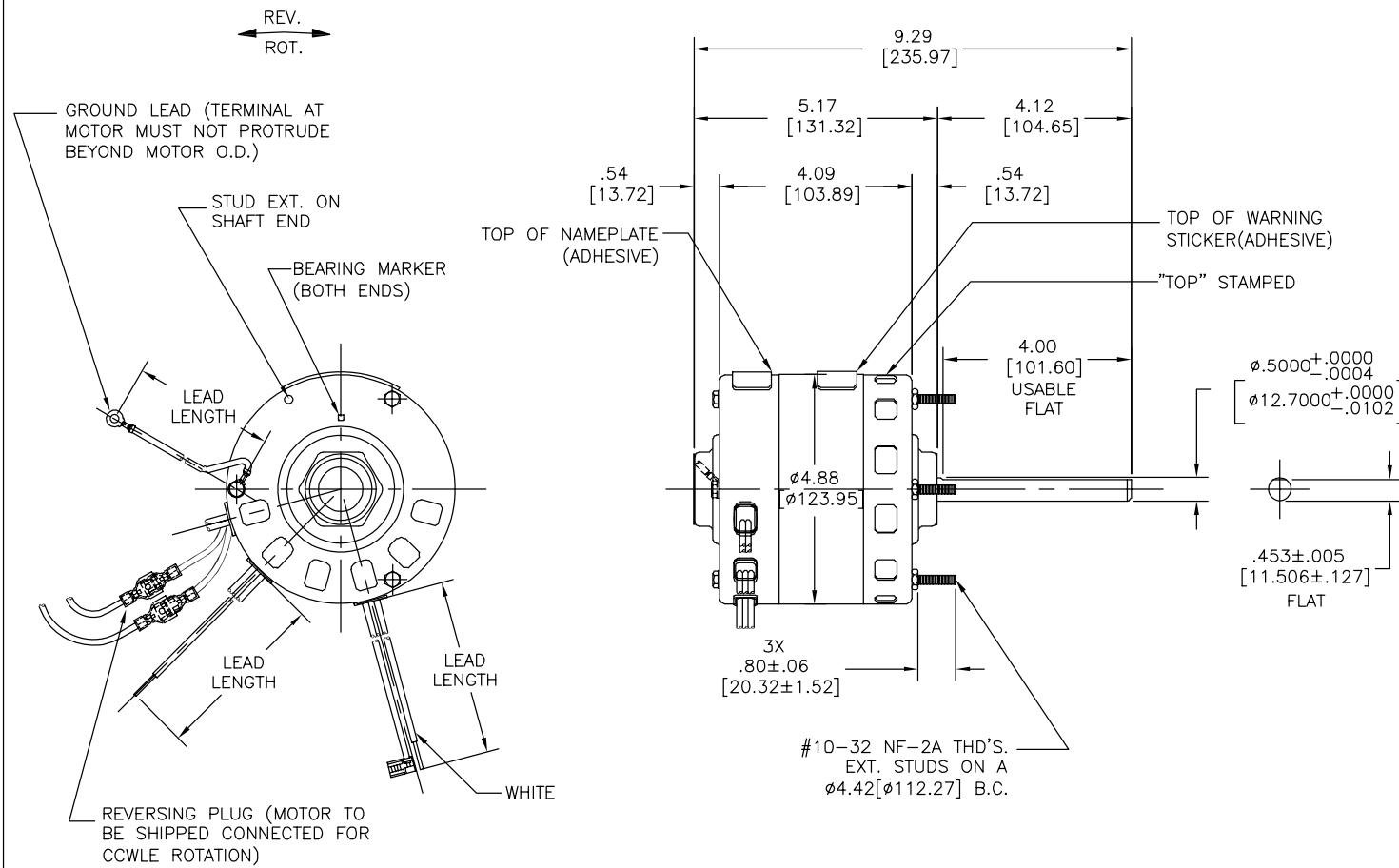
ELECTRICAL DATA:

OVERLOAD PROTECTOR: AUTOMATIC RESET (SENSATA 7AM 304)

LINE LEADS: NO. 18 GA., .03 [.76] THK. 125°C INSUL.

REVERSING LEADS: NO. 18 GA., 125°C INSUL. (.03 THK. BLACK,BLUE, AND WHITE) (.06 THK. BROWN)

GROUND LEAD: NO. 18 GA., .03 [.76] THK. (GREEN) INSUL.



GREEN(GRD)	5.0/7.0[127.0/177.8]	#10 EYELET
BLUE(REV)	4.0/6.0[101.6/152.4]	PRE-INSUL. TAB TERM.
BLACK(REV)	4.0/6.0[101.6/152.4]	PRE-INSUL. SPADE TERM.
WHITE(REV)	4.0/6.0[101.6/152.4]	PRE-INSUL. TAB TERM.
BROWN(REV)	4.0/6.0[101.6/152.4]	PRE-INSUL. SPADE TERM.
BROWN/WHITE TRACER	12.0/14.0[304.8/355.6]	.25[6.35] FLAG
BROWN	12.0/14.0[304.8/355.6]	.25[6.35] FLAG
BLUE	28.0/30.0[711.2/762.0]	.60 [15.24] SKIN
RED	28.0/30.0[711.2/762.0]	.60 [15.24] SKIN
BLACK	28.0/30.0[711.2/762.0]	.60 [15.24] SKIN
WHITE	28.0/30.0[711.2/762.0]	.60 [15.24] SKIN
COLOR	LENGTH	TERMINAL OR STRIP LENGTH

REGAL-BELOIT CORPORATION (RBC) PROVIDES TECHNICAL ASSISTANCE TO OUR CUSTOMERS IN SEVERAL AREAS. SINCE RBC DOES NOT RECEIVE ALL DATA CONCERNING THE USE AND APPLICATION OF THE MOTOR, THE SUITABILITY OF THE MOTOR FOR THE APPLICATION MUST BE DETERMINED BY THE CUSTOMER.

DIMENSIONS WITHOUT TOLERANCES ARE FOR REFERENCE ONLY.

MAIN FRAME - OLE	OPEN
END FRAME - OLE	OPEN
MAIN FRAME - LE	OPEN-BELOW t
END FRAME - LE	OPEN-BELOW t

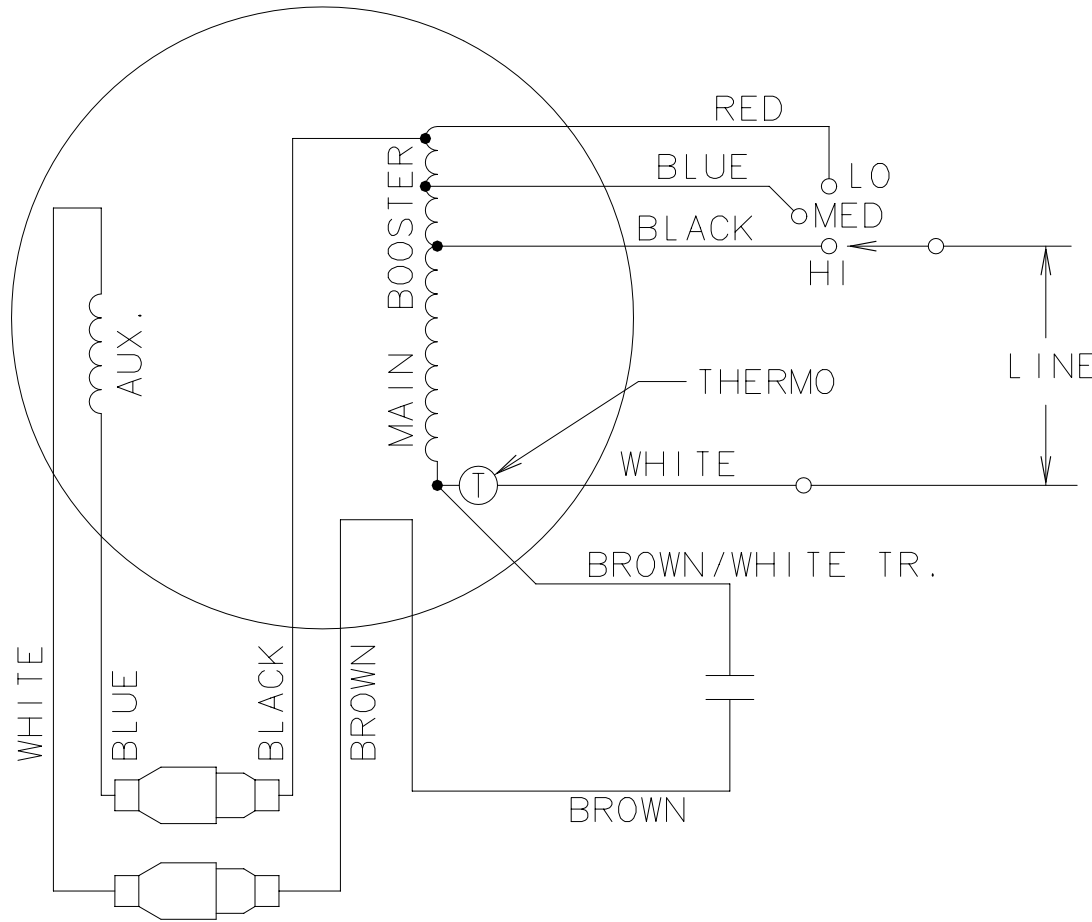
NAMEPLATE DATA:	EXTERNAL CONNECTION DIAGRAM
MODEL: 322P925 CUST. P/N: B6520 HP: 1/4 1/5 1/6 ROT: REV. RPM: 1075/3 SPD TYPE: FLL FRAME: 42Y VOLTS: 230 PH: 1 AMPS: 2.0 HZ: 60 INS: B* AMB: 40C DUTY: AIR OVER CODE: - CAP.: 5 MFD/370V UL LOGO CSA LOGO THERMALLY PROTECTED TYPE C	

PERFORMANCE CURVE NO.	TORQUE @1075 RPM (25°C)	APPROVED SAMPLE	UL COMPONENT		CSA	
C30185	20.0 OZ. FT.	PSE7727C	FILE #	CCN #	FILE #	CLASS #
			E45993	PRGY2	LR43341	4211-01

DRAWING REVISION		DATE
A	REVISION BY C.ZHAO	12-18-2014
ECO	APPROVED BY C.ZHANG	12-18-2014
ECO DESCRIPTION: NEW DRAWING		
COPYRIGHT REGAL-BELOIT AMERICA, INC. ALL RIGHTS RESERVED. PROPRIETARY AND CONFIDENTIAL INFORMATION - THIS DOCUMENT IS THE PROPERTY OF REGAL-BELOIT AMERICA, INC. (OWNER) AND CONTAINS OWNER'S PROPRIETARY INFORMATION. ANY PERSON, CORPORATION OR OTHER FIRM RECEIVING IT IS DEEMED BY RECEIVING IT, TO AGREE THAT IT, AND/OR ANY PART OF IT, SHALL NOT BE DISCLOSED TO ANY PERSON, CORPORATION OR OTHER ENTITY, DUPLICATED, AND/OR USED, EXCEPT AS EXPRESSLY APPROVED IN WRITING IN ADVANCE BY OWNER. THIS DOCUMENT SHALL BE RETURNED TO OWNER UPON REQUEST. IT MAY BE SUBJECT TO CERTAIN RESTRICTIONS UNDER APPLICABLE EXPORT CONTROL LAWS AND REGULATIONS.		

DRAWN BY: C.ZHAO	DATE: 12-18-2014	Regal Beloit America, Inc.
APPROVED BY: C.ZHANG	DATE: 12-18-2014	
REFERENCE	MATERIAL	DESCRIPTION: MODEL-RFHP-42FR OUTLINE
THIRD ANGLE PROJECTION	SIZE DWG NO: C B6520	PROCESS/FINISH
		SHEET 1

CONFIDENTIAL: THIS DRAWING AND ITS INFORMATION ARE THE EXCLUSIVE AND CONFIDENTIAL PROPERTY OF A.O.SMITH CORP. AND ARE NOT TO BE DISCLOSED, DUPLICATED, DISTRIBUTED OR OTHERWISE USED WITHOUT THE WRITTEN CONSENT OF A.O.SMITH CORP. - ALL RIGHTS RESERVED




QUALITY CONTROL NOTE

TO CHECK THE WINDINGS FOR OPENS, VERIFY THE CONTINUITY BETWEEN THE PLAIN BROWN LEAD & THE WHITE LEAD AND BETWEEN THE PLAIN BROWN & THE RED LEAD.

CCW
 BROWN — WHITE
 BLUE — BLACK

CW
 WHITE — BLACK
 BLUE — BROWN

REV. ROT., TYPE FLL,
 "L" CONNECT

	DATE	CHANGED FROM	NOTICE	MATERIAL	PROCESS	A.O. SMITH A DIVISION OF A.O. SMITH CORPORATION ELECTRICAL PRODUCTS COMPANY TIPP CITY, OHIO		 COPYRIGHT 1992
				FIRST MODEL 322P925	SHEET 1 OF 1	DRAWN BY HEATH	NPN NO. 17615	DESCRIPTION FR.42 TYPE FLL DIAG. MLW
				NO. OF MODELS 1	REFERENCE 617730	SCALE NONE	APPROVED BY	REL. DATE 7/21/87
				LIMITS UNLESS OTHERWISE SPECIFIED: FRACTIONS ± NONE ANGLES ± NONE DECIMALS ± NONE		GROUP CODE FR42	FILE CODE CONEXT	PART NO. 617836

* CADAM DWG. -DO NOT ALTER

B# 10